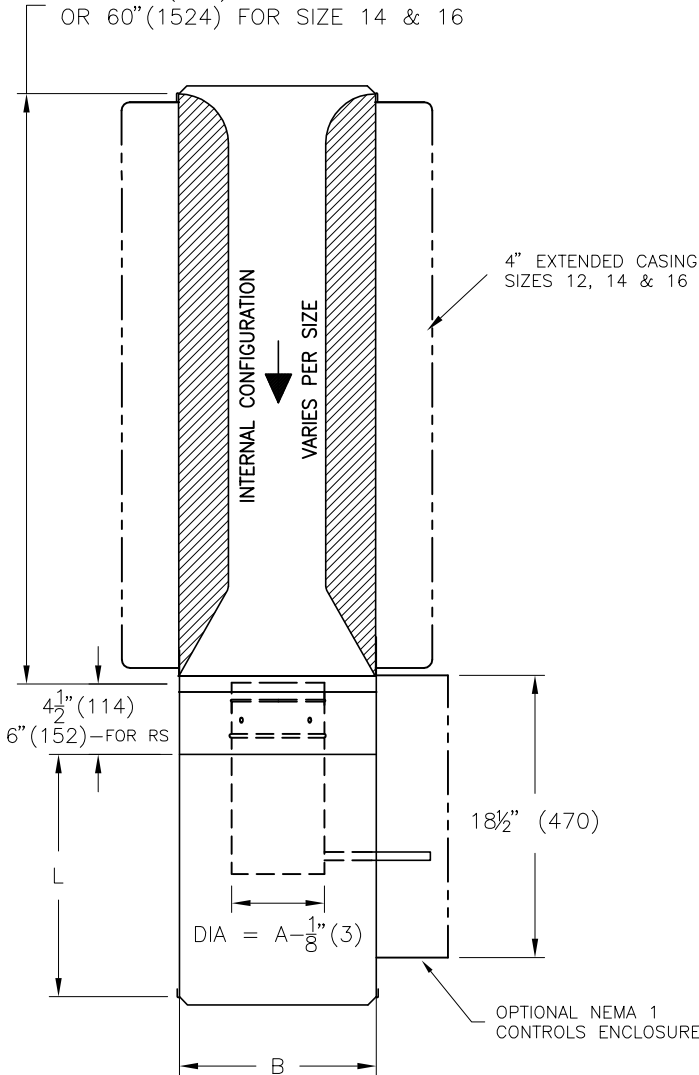


UNIT SIZE	CFM RANGE	IMPERIAL UNITS inches			
		OUTLET		INLET	LENGTH
		B	C	A	L
4	0-225	12	8	6	15 1/2
5	0-350				
6	0-450				
7	0-650	12	10	7	
8	0-800			8	
9	0-1050	14	12 1/2	9	
10	0-1350			10	
12	0-2100			16	15
14	0-3200	20	17 1/2	14	19
16	0-4000	24	18	16	

36" (915) FOR SIZE 4-12
OR 60" (1524) FOR SIZE 14 & 16



UNIT SIZE	L/S RANGE	S.I. UNITS mm			
		OUTLET		INLET	LENGTH
		B	C	A	L
4	0-106	305	203	152	394
5	0-165				
6	0-212				
7	0-307	305	254	178	
8	0-378			203	
9	0-496	356	318	229	
10	0-637			254	
12	0-991			406	381
14	0-1510	508	445	356	483
16	0-1888	610	457	406	

NOTES:

- INTERNAL INSULATION - RIGID FIBERGLASS 5/8" (16mm) THICK, MIN. 4# DENSITY WITH FOIL FACE WHICH MEETS REQUIREMENTS OF NFPA 90A, UL181, AND ASTM C-665. INSULATION EDGES COVERED WITH METAL ANGLES.
- 22GA ZINC COATED STEEL HOUSING. MECHANICALLY SEALED AND GASKETED, LEAK RESISTANT CONSTRUCTION.
- RECTANGULAR DISCHARGE/INLET WITH SLIP AND DRIVE CLEAT DUCT CONNECTION.
- DIGITAL CONTROLS BY CONTROL CONTRACTOR.
- 1/2" (13) DIA. PLATED SOLID STEEL SHAFT WITH END INDICATOR MARK SHOWING DAMPER POSITION.
- GASKETED BUTTERFLY DAMPER. LEAKAGE RATED BELOW 2% OF NOMINAL FLOW AT 3" W.G. DAMPER CCW TO CLOSE.
- SILENCER MEDIUM PRESSURE STYLE, 22GA GALVANIZED CASING WITH 26GA PERFORATED LINER OVER FIBERGLASS ACOUSTIC MEDIA w/POLYMER FILM FACING & 1/2" ACOUSTIC STANDOFF.

OPTIONS:

- CONTROLS ENCLOSURE
- HANGER BRACKETS (SHIPPED LOOSE)
- 24VAC TRANSFORMER
- TOGGLE DISCONNECT SWITCH
- RS-BOTTOM REMOVABLE SENSOR
- GT - BRASS AIRFLOW SENSOR GAUGE TAPS

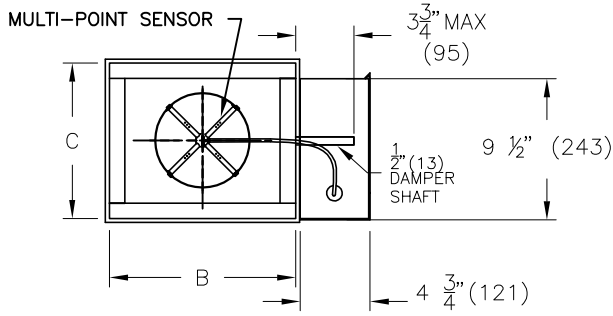
LINERS:

- TERMINAL: FB SM PM FF CRAF WFPM
 FB1 SM1 PM1 FF1 CRAF1 CRWF
 FG75 FF50 AFFM AFPM1

- SILENCER: FC - FIBERGLASS CLOTH

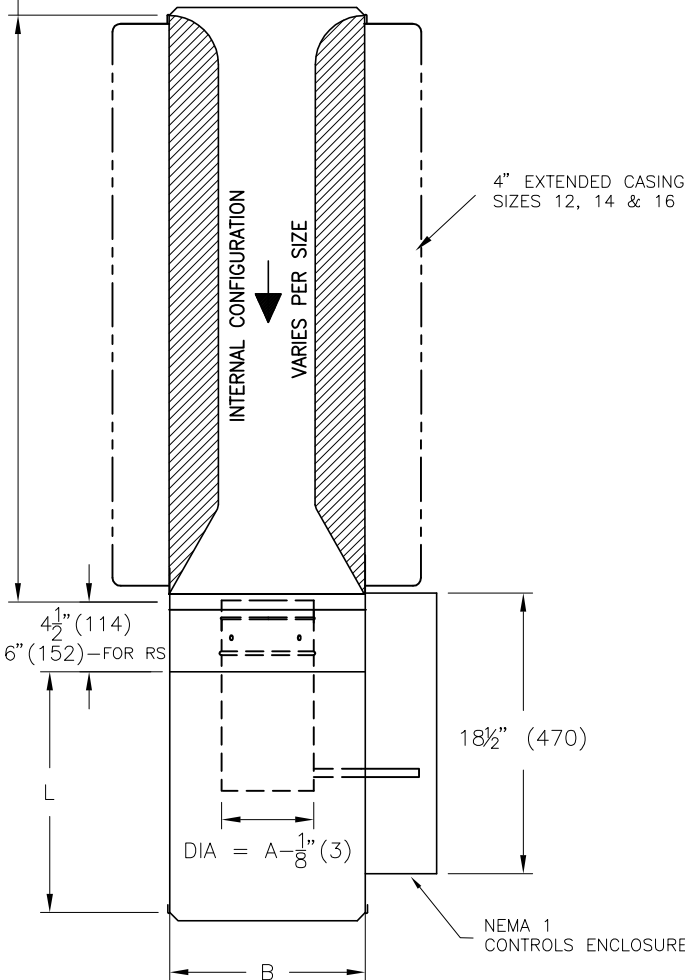
ALL METRIC DIMENSIONS () ARE SOFT CONVERTED. IMPERIAL DIMENSIONS ARE CONVERTED TO METRIC AND ROUNDED TO THE NEAREST MILLIMETER.

PROJECT:		PRICE®	
ENGINEER:			
CUSTOMER:		SDEQ5000	
SUBMITTAL DATE:		SINGLE DUCT DIGITAL CONTROL ULTRA QUIET EXHAUST w/SILENCER	
SPEC. SYMBOL:		251088	
		2009/01/14	



UNIT SIZE	CFM RANGE	IMPERIAL UNITS inches			
		OUTLET		INLET	LENGTH
		B	C	A	L
4	0-225				15½
5	0-350	12	8	6	
6	0-450				
7	0-650			7	
8	0-800	12	10	8	
9	0-1050			9	
10	0-1350	14	12½	10	
12	0-2100	16	15	12	
14	0-3200	20	17½	14	19
16	0-4000	24	18	16	

36" (915) FOR SIZE 4-12
OR 60" (1524) FOR SIZE 14 & 16



UNIT SIZE	L/S RANGE	S.I. UNITS mm			
		OUTLET		INLET	LENGTH
		B	C	A	L
4	0-106				394
5	0-165	305	203	152	
6	0-212				
7	0-307			178	
8	0-378	305	254	203	
9	0-496			229	
10	0-637	356	318	254	
12	0-991	406	381	305	
14	0-1510	508	445	356	483
16	0-1888	610	457	406	

NOTES:

- INTERNAL INSULATION - RIGID FIBERGLASS 5/8" (16mm) THICK, MIN. 4# DENSITY WITH FOIL FACE WHICH MEETS REQUIREMENTS OF NFPA 90A, UL181, AND ASTM C-665. INSULATION EDGES COVERED WITH METAL ANGLES.
- 22GA ZINC COATED STEEL HOUSING, MECHANICALLY SEALED AND GASKETED, LEAK RESISTANT CONSTRUCTION.
- RECTANGULAR DISCHARGE/INLET WITH SLIP AND DRIVE CLEAT DUCT CONNECTION.
- PRICE CONTROLS FACTORY MOUNTED.
- 1/2" (13) DIA. PLATED SOLID STEEL SHAFT WITH END INDICATOR MARK SHOWING DAMPER POSITION.
- GASKETED BUTTERFLY DAMPER. LEAKAGE RATED BELOW 2% OF NOMINAL FLOW AT 3" W.G. DAMPER CCW TO CLOSE.
- SILENCER MEDIUM PRESSURE STYLE, 22GA GALVANIZED CASING WITH 26GA PERFORATED LINER OVER FIBERGLASS ACOUSTIC MEDIA w/POLYMER FILM FACING & 1/2" ACOUSTIC STANDOFF.

OPTIONS:

- HANGER BRACKETS (SHIPPED LOOSE)
- 24VAC TRANSFORMER
- TOGGLE DISCONNECT SWITCH
- RS-BOTTOM REMOVABLE SENSOR

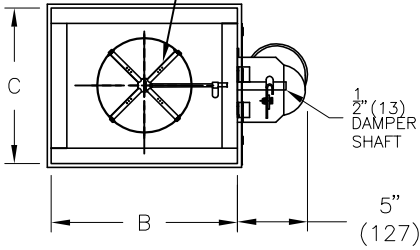
LINERS:

- TERMINAL: FB SM PM FF CRAF WFPM
 FB1 SM1 PM1 FF1 CRAF1 CRWF
 FG75 FF50 AFPM AFPM1
- SILENCER: FC - FIBERGLASS CLOTH

ALL METRIC DIMENSIONS () ARE SOFT CONVERTED. IMPERIAL DIMENSIONS ARE CONVERTED TO METRIC AND ROUNDED TO THE NEAREST MILLIMETER.

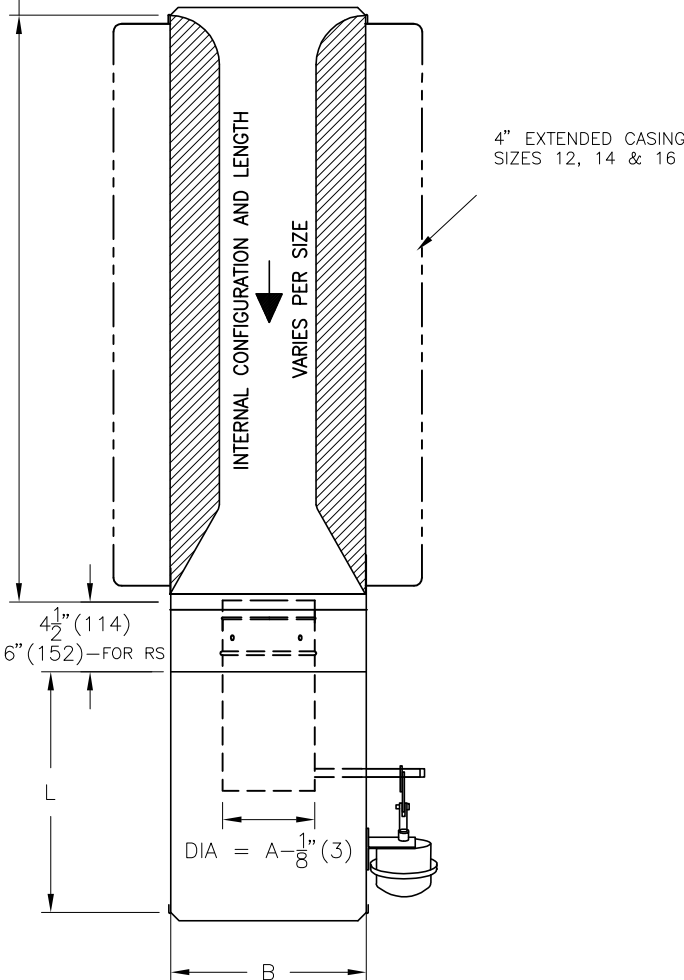
PROJECT:		PRICE®	
ENGINEER:		GF	SDEQ8000 SINGLE DUCT PRICE CONTROLS ULTRA QUIET EXHAUST w/SILENCER
CUSTOMER:			
SUBMITTAL DATE:	SPEC. SYMBOL:	2009/01/15	

MULTI-POINT SENSOR
C/W GAUGE TAPS



UNIT SIZE	CFM RANGE	IMPERIAL UNITS inches			
		OUTLET		INLET	LENGTH
		B	C	A	L
4	0-225				15½
5	0-350	12	8	6	
6	0-450				
7	0-650			7	
8	0-800	12	10	8	
9	0-1050			9	
10	0-1350	14	12½	10	
12	0-2100	16	15	12	19
14	0-3200	20	17½	14	
16	0-4000	24	18	16	

36" (915) FOR SIZE 4-12
OR 60" (1524) FOR SIZE 14 & 16



UNIT SIZE	L/S RANGE	S.I. UNITS mm			
		OUTLET		INLET	LENGTH
		B	C	A	L
4	0-106				394
5	0-165	305	203	152	
6	0-212				
7	0-307			178	
8	0-378	305	254	203	
9	0-496			229	
10	0-637	356	318	254	
12	0-991	406	381	305	483
14	0-1510	508	445	356	
16	0-1888	610	457	406	

NOTES:

- INTERNAL INSULATION - RIGID FIBERGLASS 5/8" (16mm) THICK, MIN. 4# DENSITY WITH FOIL FACE WHICH MEETS REQUIREMENTS OF NFPA 90A, UL181, AND ASTM C-665. INSULATION EDGES COVERED WITH METAL ANGLES.
- 22GA ZINC COATED STEEL HOUSING. MECHANICALLY SEALED AND GASKETED, LEAK RESISTANT CONSTRUCTION.
- RECTANGULAR DISCHARGE/INLET WITH SLIP AND DRIVE CLEAT DUCT CONNECTION.
- PNEUMATIC ACTUATOR SUPPLIED & MOUNTED BY PRICE.
- 1/2" (13) DIA. PLATED SOLID STEEL SHAFT WITH END INDICATOR MARK SHOWING DAMPER POSITION.
- PRESSURE DEPENDENT
- GASKETED BUTTERFLY DAMPER. LEAKAGE RATED BELOW 2% OF NOMINAL FLOW AT 3" W.G. DAMPER CCW TO CLOSE.
- MINIMUM AIR VOLUM IS ZERO (SHUT-OFF)
- SILENCER MEDIUM PRESSURE STYLE, 22GA GALVANIZED CASING WITH 26GA PERFORATED LINER OVER FIBERGLASS ACOUSTIC MEDIA w/POLYMER FILM FACING & 1/2" ACOUSTIC STANDOFF.
- SPECIFY THE ACTUATOR SPRING RANGE TO ACCOMMODATE THE THERMOSTAT CONTROL RANGE AND TO SEQUENCE WITH ANY CONTROL COMPONENTS AS SUPPLIED BY OTHERS.

OPTIONS:

- OTHER PNEUMATIC ACTUATORS SUPPLIED & MOUNTED BY PRICE
- PNEUMATIC ACTUATOR SUPPLIED BY CONTROL CONTRACTOR & MOUNTED BY PRICE
- HANGER BRACKETS (SHIPPED LOOSE)
- 24VAC TRANSFORMER
- TOGGLE DISCONNECT SWITCH
- RS-BOTTOM REMOVABLE SENSOR

LINERS:

- TERMINAL: FB SM PM FF CRAF WFPM
 FB1 SM1 PM1 FF1 CRAF1 CRWF
 FG75 FF50 AFPM AFPM1

SILENCER: FC - FIBERGLASS CLOTH

ALL METRIC DIMENSIONS () ARE SOFT CONVERTED. IMPERIAL DIMENSIONS ARE CONVERTED TO METRIC AND ROUNDED TO THE NEAREST MILLIMETER.

PROJECT:		PRICE®	
ENGINEER:		GF	SPEQ6000 SINGLE DUCT PNEUMATIC CONTROL ULTRA QUIET EXHAUST w/SILENCER
CUSTOMER:			
SUBMITTAL DATE:	SPEC. SYMBOL:	2009/01/15	